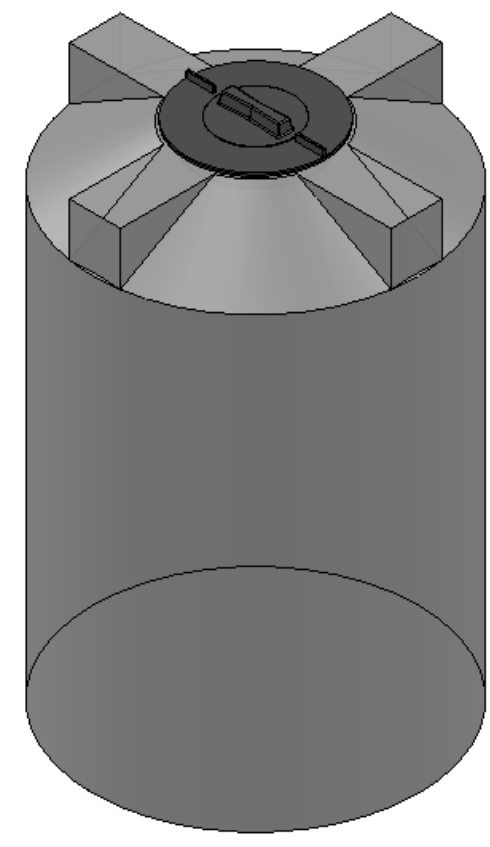
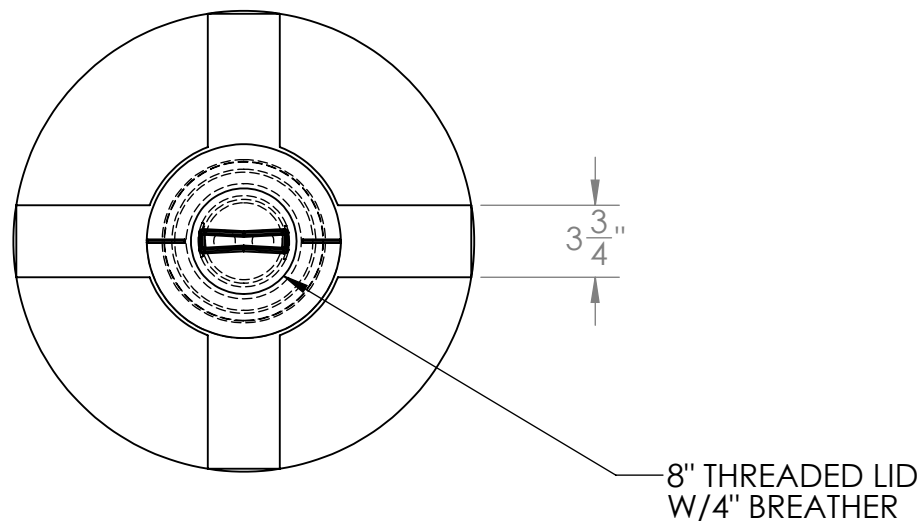
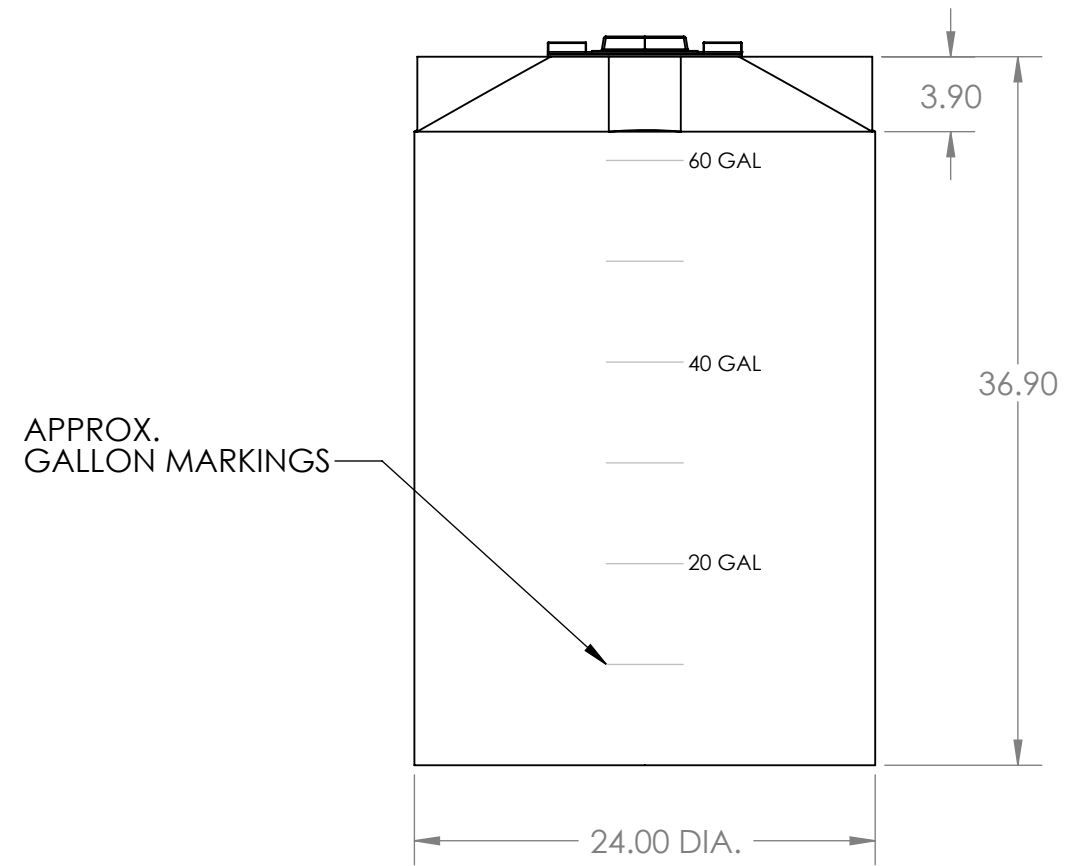


D  
C  
B  
A

D  
C  
B  
A



- NOTES:
1. MATERIAL: POLYETHYLENE
  2. WEIGHT: 20 LBS.



**PROPRIETARY AND CONFIDENTIAL**  
 THE INFORMATION CONTAINED IN THIS DRAWING IS THE SOLE PROPERTY OF <INSERT COMPANY NAME HERE>. ANY REPRODUCTION IN PART OR AS A WHOLE WITHOUT THE WRITTEN PERMISSION OF <INSERT COMPANY NAME HERE> IS PROHIBITED.

		UNLESS OTHERWISE SPECIFIED:		NAME	DATE	CUSTOM ROTO-MOLDING, INC.	
		DIMENSIONS ARE IN INCHES	DRAWN	EBW	3-3-09	TITLE:	
		TOLERANCES:	CHECKED			65 VT. W/8" LID	
		FRACTIONAL ±	ENG APPR.			SIZE	
		ANGULAR: MACH ± BEND ±	MFG APPR.			DWG. NO.	REV
		TWO PLACE DECIMAL ±	Q.A.			65 VT	
		THREE PLACE DECIMAL ±	COMMENTS:			SCALE: 1:20	WEIGHT:
		INTERPRET GEOMETRIC TOLERANCING PER:					SHEET 1 OF 1
		MATERIAL					
NEXT ASSY	USED ON	FINISH					
APPLICATION		DO NOT SCALE DRAWING					